

YBLX-K1 Travel Switch

1. General

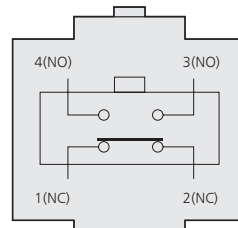
YBLX-K1 series of travel switch is applicable to electric circuit with voltage not more than AC Ue 380V/50-60Hz or DC Ue 220V and current not more than AC Ie 5A or DC Ie 0.15A for travel control, direction of motion or speed change of movement mechanism, automatic control, motion direction or speed change of machine tool, automatic control, action limit & travel or procedure control of movement mechanism.

Standard: GB 14048.5, IEC60947-5-1, CCC China Compulsory Product Certification.

2. Type designation

YB LX-K 1 / □ 1 □

- Derived model "M" refers sealed
- A pair of normally closed contacts
- A pair of normally open contacts
- "1" refers single roller
- "2" refers two rollers
- "3" refers plunger type
- "4" refers roller plunger type
- "5" refers Universal type
- "6" refers single reversely installed roller
- "7" refers two reversely installed rollers
- Design sequence No.
- Fast
- Travel switch
- Improved code
- Contact type



3. Technical data

Table 1

Ingress protection	IP52
Conventional thermal current	5A
Rated voltage	AC 380V DC220V
Rated control current	AC 5A DC0.15A
Operation frequency	20 t/min
On-load factor	40%
Mechanical life	60×10 ⁴ times
Electrical life	30×10 ⁴ times
Ambient temperature	-5℃~+40℃
Relative humidity	≤85%(20℃)
Altitude	≤2000m
Voltage resistance	Between terminals at same levels (1140V)
	Between live parts and grounding (1890V)
	Between terminal and dead metal parts (2500V)
Scope of application	Automatic control of machine tool and action or program control of limited movement mechanism
Standard	GB 14048.5 IEC 6090947-5-1

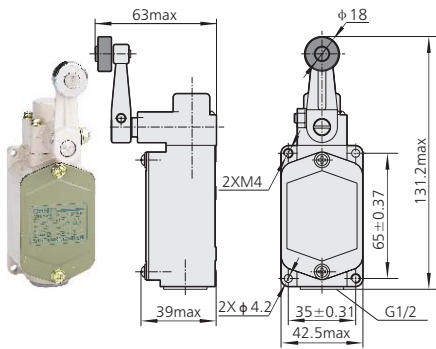
Table 2

Operating characteristic	Type	YBLX-K1/111	YBLX-K1/211	YBLX-K1/311	YBLX-K1/411
Maximum operating force (max OF)		15N	20N	20N	20N
Maximum operating range (max PT)		45°	70°	5mm	5mm
Minimum overtravel (min OT)		15°		5mm	5mm

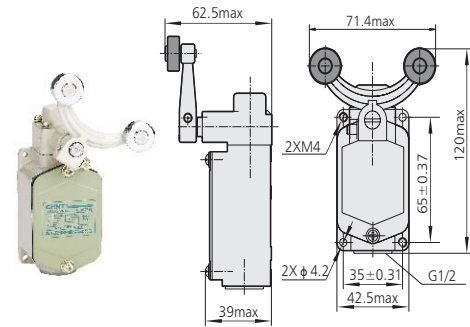
Travel Switch

4. Overall and mounting dimensions

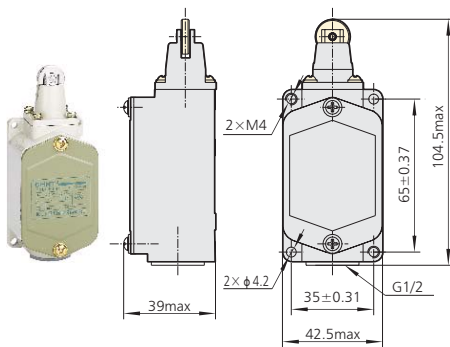
YBLX-K1/111



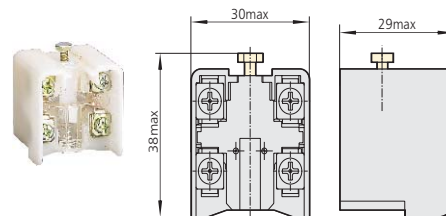
YBLX-K1/211



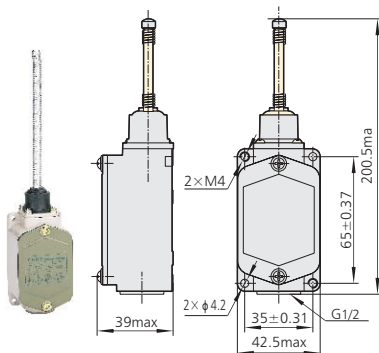
YBLX-K1/411



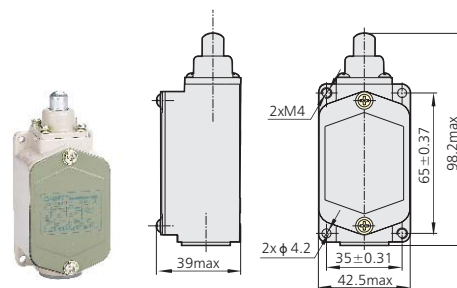
YBLX-K1/K



YBLX-K1/511



YBLX-K1/311



5. Ordering information

When ordering, the user shall indicate the product name, type and quantity.
For example: YBLX-K1/111 Travel switch 100 pieces.