



## CJ19 Contactor for Power Factor Correction

### 1. General

- 1.1 Electric ratings: AC50/60Hz, up to 400V;
- 1.2 Standard: IEC/EN 60947-4-1



### 2. Type designation

CJ 19 □ □

Number of auxiliary contacts  
 20: 2N/O, 11: 1N/O+1N/C  
 02: 2N/C (CJ19-25~43)  
 21: 2N/O+1N/C, 12: 1N/O+2N/C (CJ19-63~95)  
 10: 1N/O, 01: 1N/C (CJ19-115~170)

Basic model code

Design sequence No.

Contactor

### 3. Operating conditions

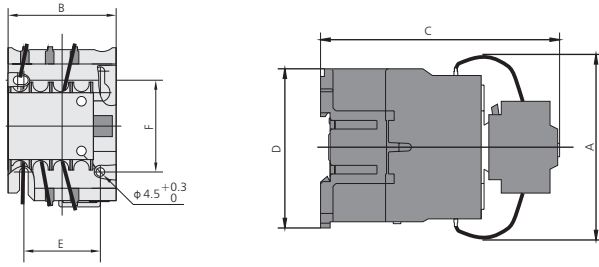
- 3.1 Ambient temperature: -5°C~+40°C,  
the average during 24 hours should not exceed +35°C;
- 3.2 Altitude: ≤ 2000m;
- 3.3 Atmosphere conditions: At mounting site,  
relative humidity not exceed 50% at the max temperature  
of +40°C, higher relative humidity is allowable  
under lower temperature. For example,  
RH could be 90% at +20°C,  
special measures should be taken to occurrence of dews;
- 3.4 Pollution degree: 3
- 3.5 Installation category: III
- 3.6 Installation conditions :  
the inclination between installation plane  
and vertical plane is within ±5 °
- 3.7 Impact and shake: the products should locate  
in the places where there are no obvious impact and shake.

### 4. Technical data

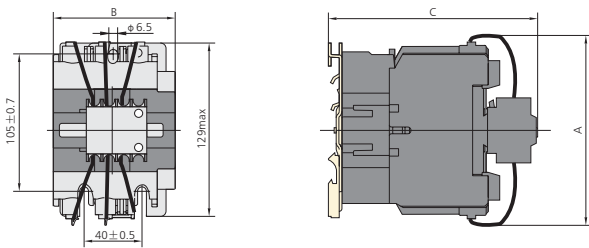
Item	CJ19-25	CJ19-32	CJ19-43	CJ19-63	CJ19-95	CJ19-115	CJ19-150	CJ19-170
Controllable capacitor 220V Capacity 380V	6 12	9 18	10 20	15 30	28.8(240V) 50(400V)	34.5(240V) 60(400V)	46(240V) 80(400V)	52(240V) 90(400V)
Rated Isolation Voltage Ui V	500					690		
Rated Operational Voltage Ue V	220/240, 380/400							
Conventional thermal current Ith A	25	32	43	63	95	200	200	275
Rated Operational current Ie A (380V)	17	23	29	43	72.2(400V)	87(400V)	115(400V)	130 (400V)
Restrained surge capacity	20 Ie							
Controlled power voltage	110 127 220 380							
Auxiliary contact	AC-15: Ie:0.95A Ue:400(380)V DC-13: Ie:0.15A Ue:250(220)V							
Operating Frequency cycles/h	120							
Electrical durability 10 <sup>4</sup>	10					2		
Mechanical durability 10 <sup>4</sup>	100					300		

**5. Overall and mounting dimensions (mm)**

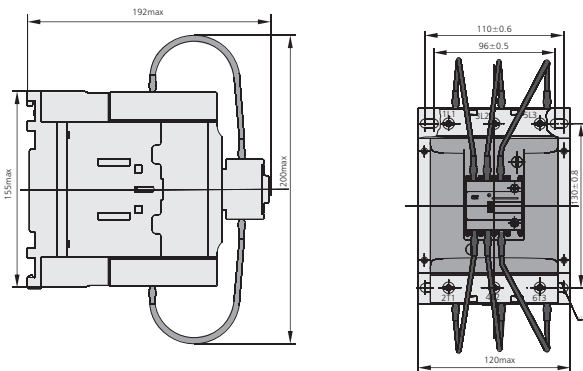
CJ19-25~43



CJ19-63~95



CJ19-115~170



Model	Amax	Bmax	Cmax	Dmax	E	F	Note
CJ19-25	80	47	124	76	34/35	50/60	Not only fixed by screws but also could be fixed with 35mm din rail
CJ19-32	90	58	132	86	40	48	
CJ19-43	90	58	136	86	40	48	
CJ19-63	132	79	150	-	-	-	Not only fixed by screws but also could be fixed with 35mm and 75mm din rail
CJ19-95	135	87	158	-	-	-	
CJ19-115	200	120	192	155			Not only fixed by screws but also could be fixed with two 35mm din rail
CJ19-150	200	120	192	155			
CJ19-170	200	120	192	155			

**6. Wiring and installation**

- 6.1 The connection terminals are protected through insulation cover, which is reliable and secure for installation and operation;
- 6.2 For CJ19-25~43, screws are available for installation, as well as the DIN rail;
  - for CJ19-63~95, 35mm or 75mm standard rail are available for installation.
  - for CJ19-115~170, screws are available for installation, as well as two 35mm DIN rail.