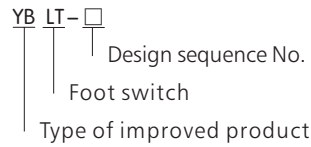


**YBLT-2, YBLT-3, YBLT-4
Foot Switch**

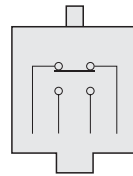
1. General

The foot switch YBLT-3,4 series is suitable for alternating current 50~60Hz;and the control lines of voltage to 380V,volts d.c.to 220V;as control machine tools electric,medical facility.
In accordance with standard: GB 14048.5, IEC 60947-5-1.

2. Type designation



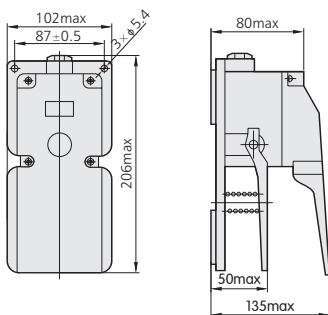
Contact type



3. Overall and mounting dimensions

Voltage current:AC380V, DC220V;
Voltage current:AC0.79A, DC0.14A;
Promise heating current:3A;
Sheathing material:YBLT-2, 1 mm armor plate,YBLT-3, YBLT-4 cast aluminum alloy.
Level of protection:IP31.

YBLT-4



YBLT-4



4. Ordering information

The full model number,name and quality of the switch should be given when ordering.
For example: YBLT-2foot switch , 100 peace